



Datasheet X Vert 650B MISS C

For more informations visit www.corratec.de

Miss C

X Vert 650B MISS C

Weight from: 13,44 kg

Frame: Corratec X-Vert 650B Miss C

Components: Shimano DEORE

Size: 39, 44, 49, 54

Colors:



TECHNOLOGIES

<LPC



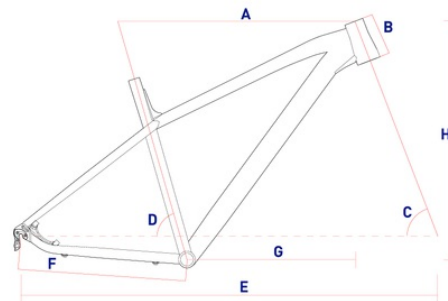
DESCRIPTION

The X-Vert Miss C is specially developed for women. The geometry is customized for the female body and therefore very balanced and comfortable. The 650B wheels provide lots of comfort and also allow an agile handling on every surface.

- Hydraulic disc breaks from Tektro for deceleration control.
- RST Omega fork provides 100mm of travel.

FRAME

CM	A	B	C	D	E	F	G	H
39	550	105	69	73	1053	438	369	592
44	570	105	69	73	1073	438	389	592
49	590	115	69	73	1094	438	406	601
54	610	125	69	73	1114	438	423	611



EQUIPMENT

MAIN:

FRAME:	Corratec X-Vert 650B Miss C
FORK:	RST Omega
BREAKES:	Tektro HDM275 front Tektro HDM275 rear
STEM:	ZZYZX SL Alloy Stem
HANDLE BAR:	ZZYZX SL Alloy Handlebar
SADDLE:	Corratec Sport
SEAT POST:	ZZYZX SL Alloy

DRIVE:

CHAINWHEEL:	Shimano MT100
CASSETTE:	Shimano HG400
FRONT DERAILLEUR:	Shimano ALTUS
REAR DERAILLEUR:	Shimano Deore 9s
SHIFT LEVERS:	Shimano ALTUS

WHEELSET:

RIM:	ZZYZX Cross Attack 650B
TIRE:	Continental Race King 2.2

SPECIAL:

CHAINWHEEL RATIO:	3s; 40/33/22
CASSETTE RATIO:	9s; 11-13-15-17-20-23-26-30-36
FORK SUSPENSION TRAVEL:	100 mm
SIZE BRAKE DISC	180 mm front 180 mm rear