



Datasheet E-Power C29 Trekking Performance 45 Trapez

For more informations visit www.corratec.de

ePOWER C29er

E-Power C29 Trekking Performance 45 Trapez

Weight from: 24,6 kg

Frame: Corratec E-Power C29 Trekking Performance 45 Trapez

Components: Shimano DEORE XT

Size: 45, 48, 51, 54

Colors:



TECHNOLOGIES



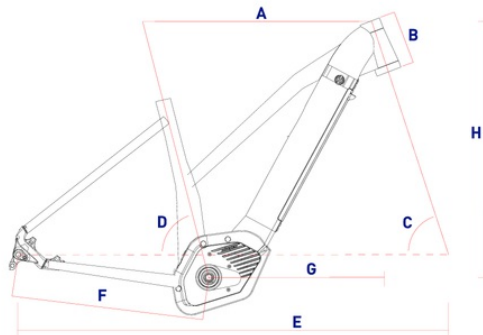
DESCRIPTION

Comfort and security are the main points of the E-Power C29 Trekking. The new developed Shadow Tube Design provides stiffness and stability and the battery pack disappears in the down tube. The Bosch Performance 45 Engine is STVZO approved and supports the rider up to 45 km/h.

- Strong Bosch engine supports till 45 kph.
- Specially developed disc breaks for eBikes.

FRAME

| CM | A | B | C | D | E | F | G | H |
|----|-----|-----|----|----|------|-----|-----|-----|
| 45 | 580 | 160 | 69 | 75 | 1162 | 495 | 419 | 599 |
| 48 | 591 | 170 | 69 | 75 | 1175 | 495 | 428 | 608 |
| 51 | 599 | 170 | 69 | 75 | 1182 | 495 | 436 | 608 |
| 54 | 610 | 170 | 69 | 73 | 1170 | 495 | 425 | 608 |



EQUIPMENT

MAIN:

| | |
|-------------|---|
| FRAME: | Corratec E-Power C29 Trekking Performance 45 Trapez |
| FORK: | Corratec C29er Disc |
| BREAKES: | Tektro HD-E815 front Tektro HD-E815 rear |
| STEM: | ZYZX Alloy Stem |
| HANDLE BAR: | ZYZX Trekking 640mm |
| SADDLE: | Corratec Classic Leather |
| SEAT POST: | ZYZX Suspension Seatpost |

DRIVE:

| | |
|------------------|------------------------|
| CHAINWHEEL: | ZYZX E-Power Crank |
| CASSETTE: | Shimano HG50 10s |
| REAR DERAILLEUR: | Shimano T8000 Deore XT |
| SHIFT LEVERS: | Shimano T8000 Deore XT |

WHEELSET:

| | |
|-------|-----------------------------|
| RIM: | Mach1 Klíxx |
| TIRE: | Continental Contact Cruiser |

SPECIAL:

| | |
|-------------------|------------------------------------|
| CHAINWHEEL RATIO: | 1s; 18 |
| CASSETTE RATIO: | 10s; 11-13-15-17-19-21-24-28-32-36 |
| SIZE BRAKE DISC: | 180 mm front 180 mm rear |
| ENGINE: | BOSCH Performance Speed |
| BATTERY: | BOSCH Power Tube 500 W/h |
| LIGHTS: | AXA Blue Line 30 |
| REAR CARRIER: | Tube Träger 28" |

