



Datasheet E-Power RS 150 Performance 45

For more informations visit www.corratec.de

E-RS 150

E-Power RS 150 Performance 45

Weight from: 23,85 kg

Frame: Corratec E-Power RS 150 29 CX

Components: Shimano DEORE XT

Size: 41, 46, 51, 56

Colors:



TECHNOLOGIES



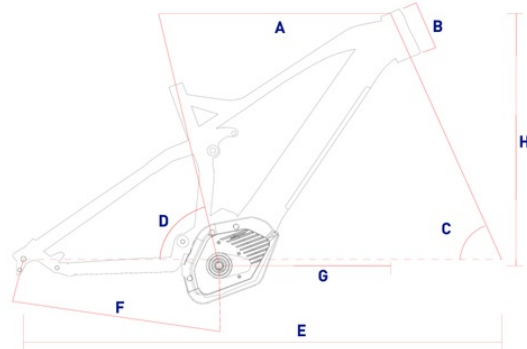
DESCRIPTION

With the strong Bosch Performance CX Engine steep slopes are no longer a problem. The innovative and well-designed frame and the nice and stylish integrated battery make the bike to a perfect trailbike with lots of flow – even uphill. For a bigger range of application, the bike can be equipped with 29 inch wheels or 650B plus wheels.

- Super precise Rockshox Pike RC fork.
- DEORE XT shifts precise and easy.

FRAME

CM	A	B	C	D	E	F	G	H
41	587	110	67	74	1194	485	410	618
46	600	120	67	74	1218	485	420	627
51	622	130	67	74	1242	485	440	636
56	645	140	67	74	1266	485	460	645



EQUIPMENT

MAIN:

FRAME:	Corratec E-Power RS 150 29 CX
FORK:	Rockshox Pike RC 29/27 + Boost Solo Air
FULLY DAMPER:	Rockshox SUPER DELUXE RC3
BREAKES:	Magura MT5 front Magura MT4 rear
STEM:	ZZYZX 6 Series 3D Forged
HANDLE BAR:	ZZYZX 6 Series XC 15 740mm
SADDLE:	Corratec Black Cromo Rail
SEAT POST:	Rockshox Reverb Stealth 125

WHEELSET:

RIM:	Mach1 Klíxx
TIRE:	Continental X King 2.4

DRIVE:

CHAINWHEEL:	Lasco Bosch Crank 20T
CASSETTE:	Shimano SLX 11s
REAR DERAILLEUR:	Shimano XT 11s
SHIFT LEVERS:	Shimano XT

SPECIAL:

CHAINWHEEL RATIO:	1s; 20
CASSETTE RATIO:	11s; 11-13-15-17-19-21-24-28-32-37-46
FORK SUSPENSION TRAVEL:	150 mm
FULLY SUSPENSION TRAVEL:	150 mm
SIZE BRAKE DISC:	180 mm front 180 mm rear
ENGINE:	BOSCH Performance Speed

BATTERY:

BOSCH Power Tube 500 W/h

