



Datasheet E-Power X Vert EXPERT 29 Trapez

For more informations visit www.corratec.de

EPOWER X VERT

E-Power X Vert EXPERT 29 Trapez

Frame: Corratec E-Power X Vert 29

Components: Shimano DEORE XT

Size: 39, 44, 49, 54

Colors:



TECHNOLOGIES



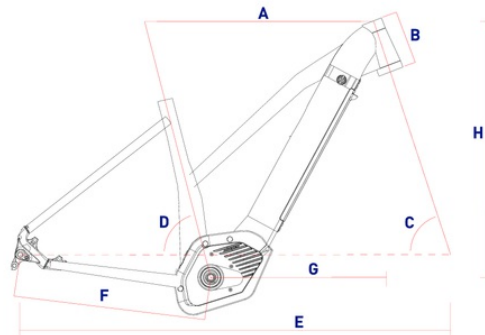
DESCRIPTION

Due to the powerful Bosch engine, the E-Power X-Vert 29 become a real rocket on the trails. The huge 29 inch wheels provide comfort and security. The battery disappears inside the down tube but can be removed for charging easily.

- Hydraulic disc breaks for perfect breaking performance.
- Reliable DEORE XT shifting.

FRAME

CM	A	B	C	D	E	F	G	H
39	570	145	69	73	1128	485	369	657
44	580	150	69	73	1138	485	378	662
49	595	155	69	73	1153	485	391	666
54	615	160	69	73	1174	485	410	671



EQUIPMENT

MAIN:

FRAME:	Corratec E-Power X Vert 29
FORK:	SR Suntour XCR Air
BREAKES:	Tektro HDM275 front Tektro HDM275 rear
STEM:	ZZYZX SL Alloy
HANDLE BAR:	ZZYZX SL Alloy
SADDLE:	ZZYZX Sports Comfort Saddle
SEAT POST:	ZZYZX SL Alloy

WHEELSET:

RIM:	ZZYZX Cross Attack 29
TIRE:	Continental X-King 2.4 Performance

DRIVE:

CHAINWHEEL:	ZZYZX E-Power Crank
CASSETTE:	G. Falcon CS-1042
REAR DERAILLEUR:	Shimano DEORE XT 10s
SHIFT LEVERS:	Shimano DEORE

SPECIAL:

CHAINWHEEL RATIO:	1s; 16
CASSETTE RATIO:	10s; 11-13-15-18-21-24-28-32-37-42
FORK SUSPENSION TRAVEL:	100 mm
SIZE BRAKE DISC:	180 mm front 180 mm rear
ENGINE:	BOSCH Performance
BATTERY:	BOSCH Power Tube 500 W/h

