



# Datasheet E-Power 26 City Active 8s 400

For more informations visit [www.corratec.de](http://www.corratec.de)

## EPOWER 26

### E-Power 26 City Active 8s 400

Weight from: 24,83 kg

Frame: Corratec E-Power 26 Active 8s Wave 400

Components: Shimano NEXUS

Size: 39, 44, 49, 54



#### TECHNOLOGIES



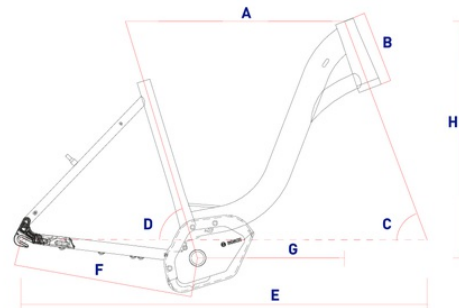
#### DESCRIPTION

The E-Power 26 is the perfect Bike to challenge the everyday life. The quiet Bosch Active Plus engine works perfectly together with the 500Wh battery for a persistent and reliable support. The Fusion Tube Edge Technology provides the additional security in the traffic. These are the most important parameter for numerous rides through the city.

- Ultimate shifting with Nexus 8 speed hub.
- Continental E Contact tires are especially developed for eBikes.

#### FRAME

CM	A	B	C	D	E	F	G	H
39	560	160	69	73	1096	460	376	600
44	570	160	69	73	1106	460	387	600
49	580	190	69	73	1118	460	388	628
54	590	190	69	73	1128	460	398	628



#### EQUIPMENT

##### MAIN:

FRAME:	Corratec E-Power 26 Active 8s Wave 400
FORK:	Corratec 189 AMS
BRAKES:	Magura HS11 front Magura HS11 rear
STEM:	ZZYZX Floding Quill
HANDLE BAR:	ZZYZX Trekking 640mm
SADDLE:	Corratec Trekking Lady
SEAT POST:	ZZYZX Suspension Seatpost

##### DRIVE:

CHAINWHEEL:	BOSCH Crank 38T
CASSETTE:	Shimano Nexus
SHIFT LEVERS:	Shimano Nexus Revo

##### WHEELSET:

RIM:	Mach1 260
TIRE:	Continental Contact II

##### SPECIAL:

CHAINWHEEL RATIO:	1s; 38
CASSETTE RATIO:	1s; 21
FORK SUSPENSION TRAVEL:	65 mm
ENGINE:	BOSCH Active Line Plus
BATTERY:	BOSCH Akku Powerpack 400 Wh
LIGHTS:	AXA Blue Line 30
REAR CARRIER:	Tubus Träger 26"